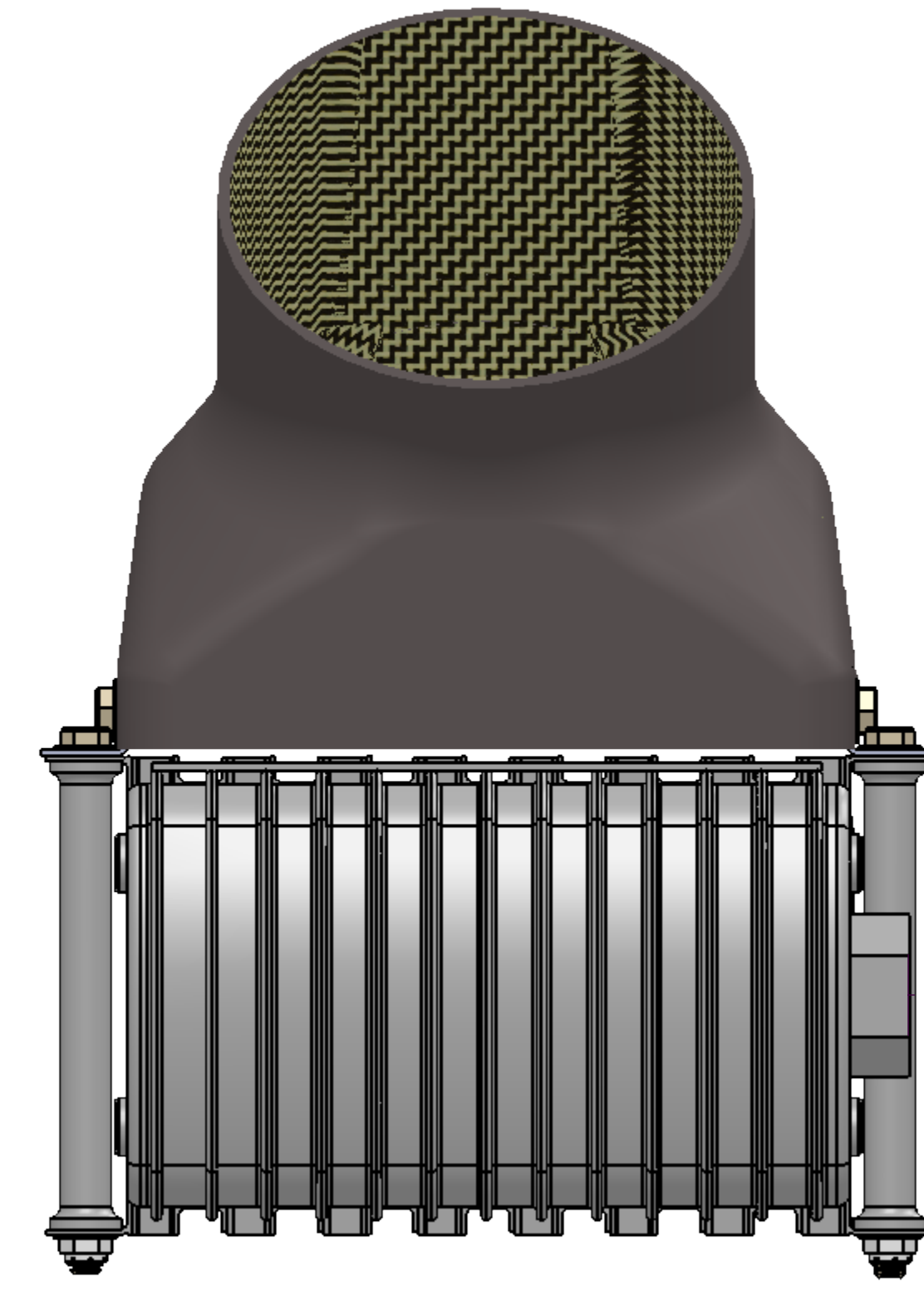
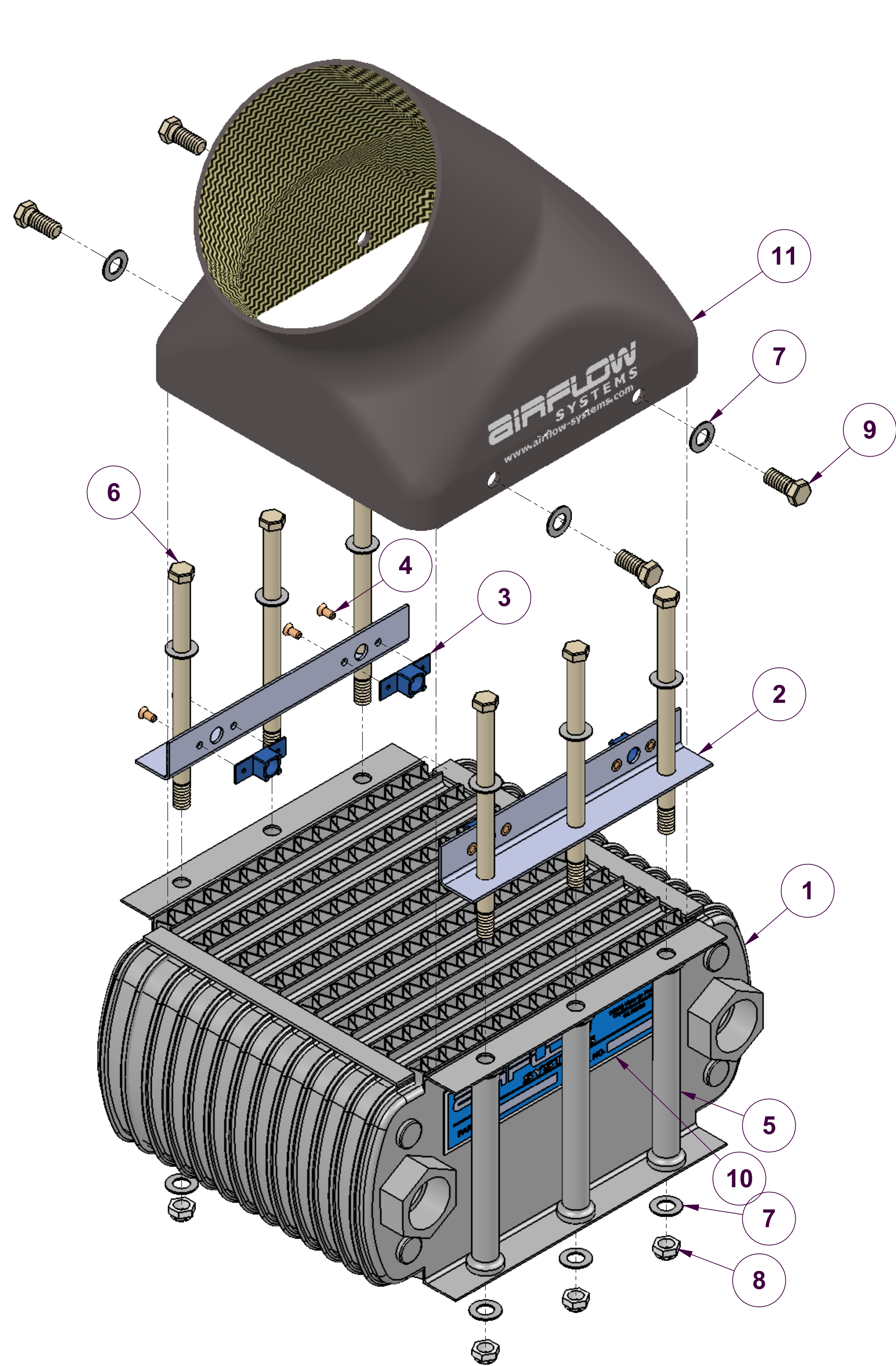


THIS DRAWING AND SPECIFICATIONS ARE THE PROPERTY OF AIRFLOW SYSTEMS AND ARE ISSUED IN STRICT CONFIDENCE. THEY SHALL NOT BE REPRODUCED, COPIED OR OR USED AS BASIS FOR MANUFACTURE OR SALE OF MATTER DEPICTED HEREIN WITHOUT WRITTEN PERMISSION.



ITEM NO.	PART NUMBER	DESCRIPTION	QTY.
1	2006X	13 ROW OIL COOLER	1
2	ASOCP-45-13	DUCT BRACKET	2
3	ASOCP-45-13	RIVNUT	4
4	ASOCP-45-13	RIVET	8
5	ASIOK-01	SPACER	6
6	ASIOK-01	BOLT	6
7	ASIOK-01	FLAT WASHER	6
8	ASIOK-01	HEX NUT	6
9	ASOCP-45-13	BOLT	4
10	DATA PLATE	AIRFLOW SYSTEMS	1
11	ASOCP-45-13	DUCT	1

UNLESS OTHERWISE SPECIFIED, DIMENSIONS ARE IN INCHES. TOLERANCES ARE: FRACTIONS DECIMALS ANGLES ±1/16 .X ±.030 ±1° .XX ±.010 .XXX ±.005		CONTRACT NO.		 35282 Vista de Todo Capistrano Beach, CA 92626	
		NAME	DATE		
INTERPRET GEOMETRIC TOLERANCING PER:	MATERIAL	DRAWN		TITLE: 6 X 6 X 4.5 OIL COOLER ASSY	
		CHECKED			
		ENG APPR.			
FINISH	NEXT ASSY	MFG APPR.		SIZE	DWG. NO.
		Q.A.		D	
USED ON		COMMENTS:		REV	
APPLICATION		DO NOT SCALE DRAWING		SCALE:	SHEET 1 OF