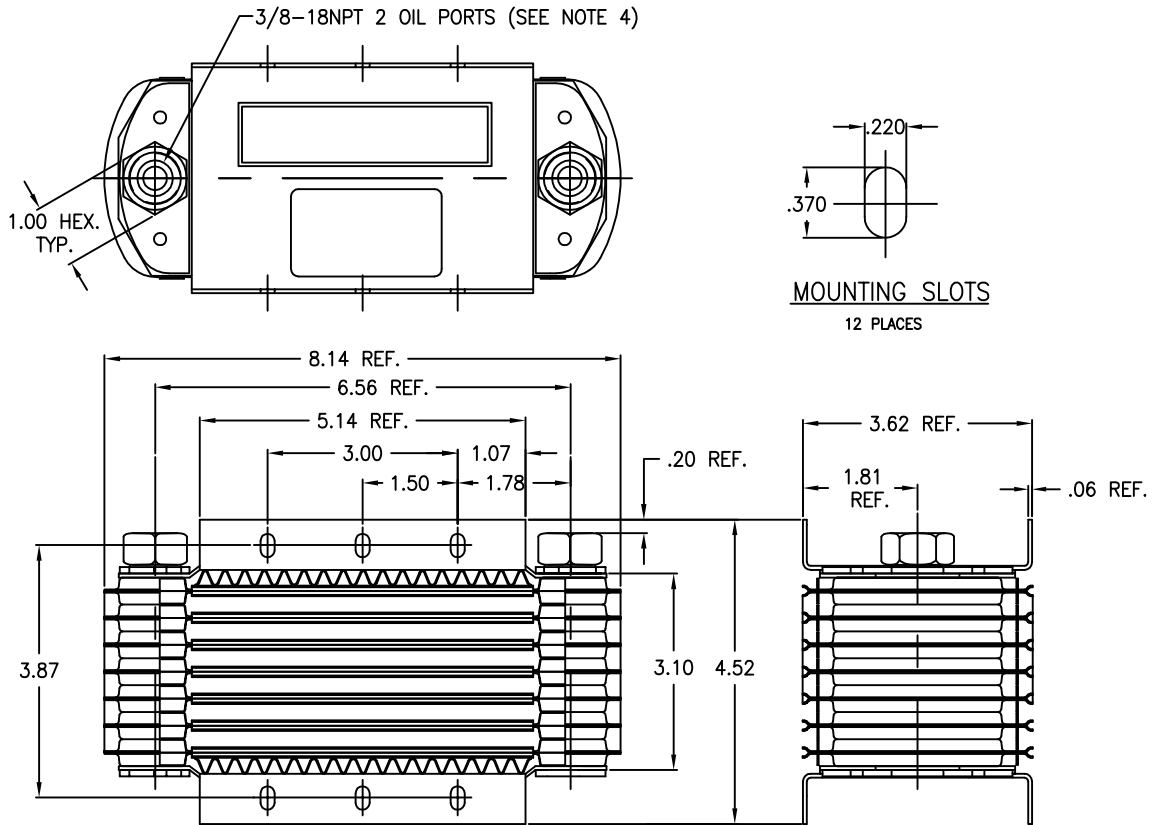


3

2

1

THIS DRAWING AND SPECIFICATIONS ARE THE PROPERTY OF AIRFLOW SYSTEMS AND ARE ISSUED IN STRICT CONFIDENCE. THEY SHALL NOT BE REPRODUCED, COPIED, OR USED AS THE BASIS FOR MANUFACTURE OR SALE OF MATTER DEPICTED HEREIN WITHOUT WRITTEN PERMISSION.



NOTES:

1. TEST PRESSURE 400 PSIG HYDROSTATIC
2. SURFACE TREATMENT PER MIL-C-5541 CLASS 1A
3. UNIT MAY BE OUT OF SQUARE .06 PER FOOT IN ANY DIRECTION.
4. MALE & FEMALE AN PORTS UP TO -12 MAY BE SUPPLIED WELDED IN AS A CUSTOM PART

Part Number

Description

AS-2002X

Oil Cooler, Aircraft, Experimental

AVAILABLE FROM:

**AIRFLOW**  
SYSTEMS

HIGH PERFORMANCE HEAT EXCHANGERS

(949)-218-9701 (VOICE)

(949)-218-9705 (FAX)

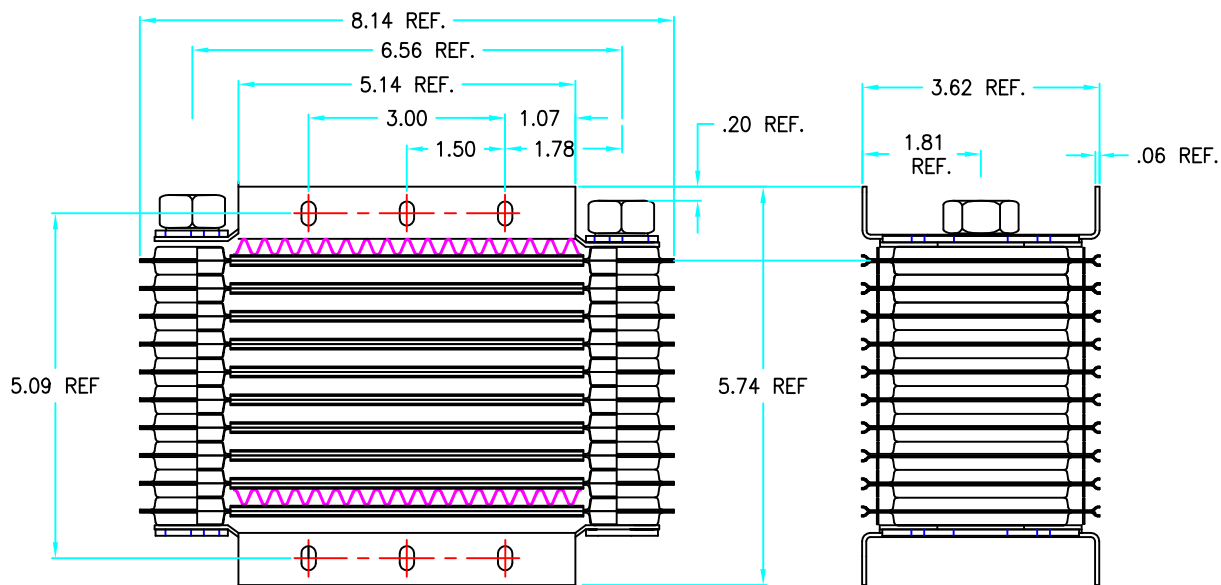
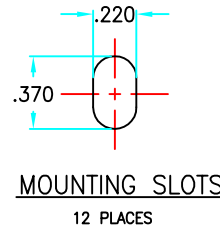
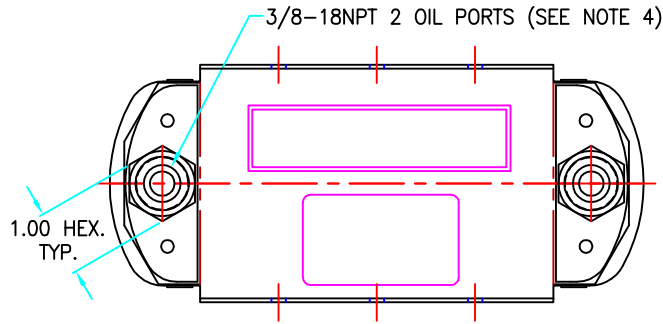
WWW.AIRFLOW-SYSTEMS.COM

3

2

1

THIS DRAWING AND SPECIFICATIONS ARE THE PROPERTY OF AIRFLOW SYSTEMS AND ARE ISSUED IN STRICT CONFIDENCE. THEY SHALL NOT BE REPRODUCED, COPIED, OR USED AS THE BASIS FOR MANUFACTURE OR SALE OF MATTER DEPICTED HEREIN WITHOUT WRITTEN PERMISSION.



NOTES:

1. TEST PRESSURE 400 PSIG HYDROSTATIC
2. SURFACE TREATMENT PER MIL-C-5541 CLASS 1A
3. UNIT MAY BE OUT OF SQUARE .06 PER FOOT IN ANY DIRECTION.
4. MALE & FEMALE AN PORTS UP TO -12 MAY BE SUPPLIED WELED IN AS A CUSTOM PART

Part Number	Description
AS-2004X	Oil Cooler, Aircraft, Experimental

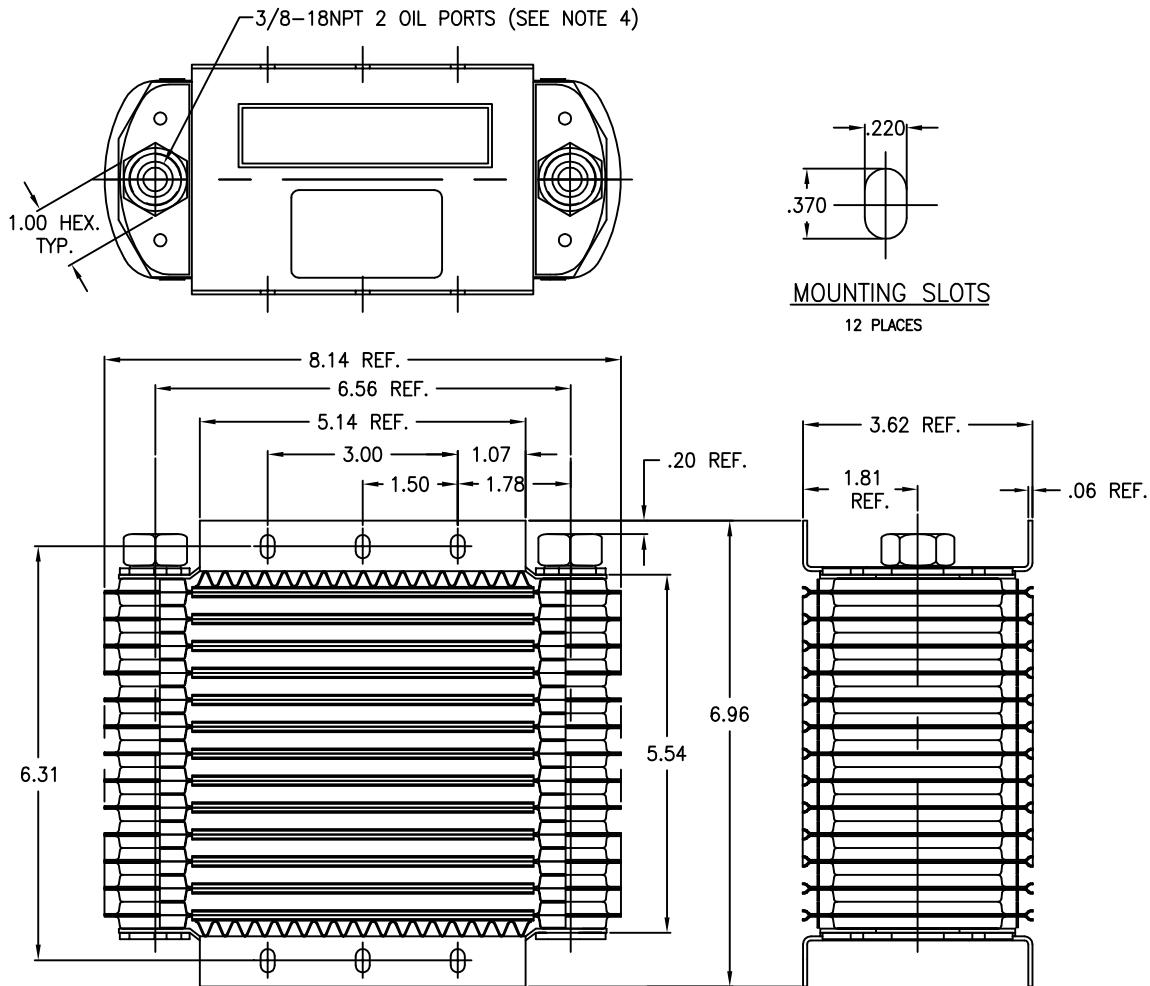
<p>AVAILABLE FROM:</p> <p><b>AIRFLOW SYSTEMS</b></p> <p>HIGH PERFORMANCE HEAT EXCHANGERS</p>	<p>(949) 218-9701 (VOICE)</p> <p>(949) 218-9705 (FAX)</p> <p>WWW.AIRFLOW-SYSTEMS.COM</p>
--	--

3

2

1

THIS DRAWING AND SPECIFICATIONS ARE THE PROPERTY OF AIRFLOW SYSTEMS AND ARE ISSUED IN STRICT CONFIDENCE. THEY SHALL NOT BE REPRODUCED, COPIED, OR USED AS THE BASIS FOR MANUFACTURE OR SALE OF MATTER DEPICTED HEREIN WITHOUT WRITTEN PERMISSION.



NOTES:

1. TEST PRESSURE 400 PSIG HYDROSTATIC
2. SURFACE TREATMENT PER MIL-C-5541 CLASS 1A
3. UNIT MAY BE OUT OF SQUARE .06 PER FOOT IN ANY DIRECTION.
4. MALE & FEMALE AN PORTS UP TO -12 MAY BE SUPPLIED WELED IN AS A CUSTOM PART

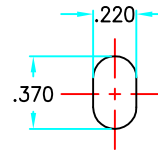
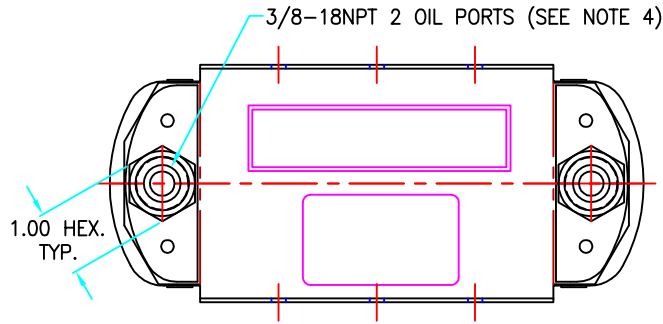
Part Number	Description
AS-2006X	Oil Cooler, Aircraft, Experimental
<p>AVAILABLE FROM:</p> <p><b>AIRFLOW SYSTEMS</b></p> <p>HIGH PERFORMANCE HEAT EXCHANGERS</p> <p>(949) 218-9701 (VOICE) (949) 218-9705 (FAX) WWW.AIRFLOW-SYSTEMS.COM</p>	

3

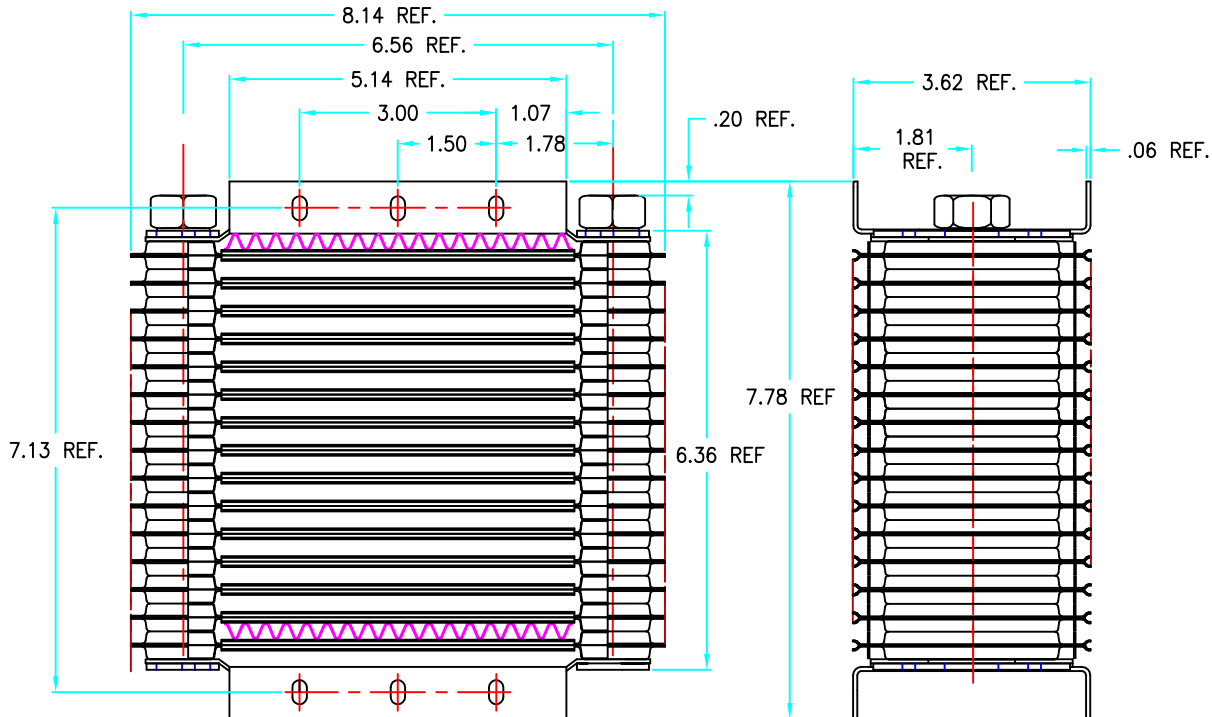
2

1

THIS DRAWING AND SPECIFICATIONS ARE THE PROPERTY OF AIRFLOW SYSTEMS AND ARE ISSUED IN STRICT CONFIDENCE. THEY SHALL NOT BE REPRODUCED, COPIED, OR USED AS THE BASIS FOR MANUFACTURE OR SALE OF MATTER DEPICTED HEREIN WITHOUT WRITTEN PERMISSION.



MOUNTING SLOTS  
12 PLACES



NOTES:

1. TEST PRESSURE 400 PSIG HYDROSTATIC
2. SURFACE TREATMENT PER MIL-C-5541 CLASS 1A
3. UNIT MAY BE OUT OF SQUARE .06 PER FOOT IN ANY DIRECTION.
4. MALE & FEMALE AN PORTS UP TO -12 MAY BE SUPPLIED WELED IN AS A CUSTOM PART

Part Number	Description
AS-2007X	Oil Cooler, Aircraft, Experimental

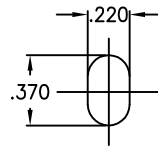
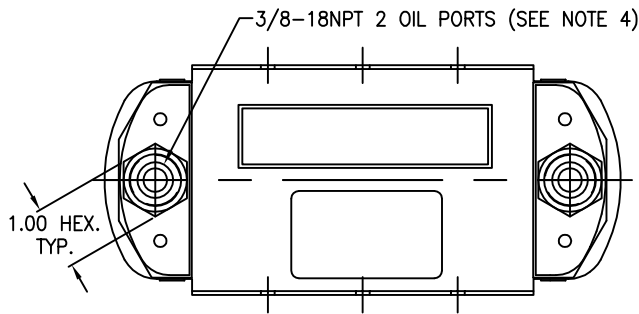
AVAILABLE FROM:

**AIRFLOW**  
SYSTEMS

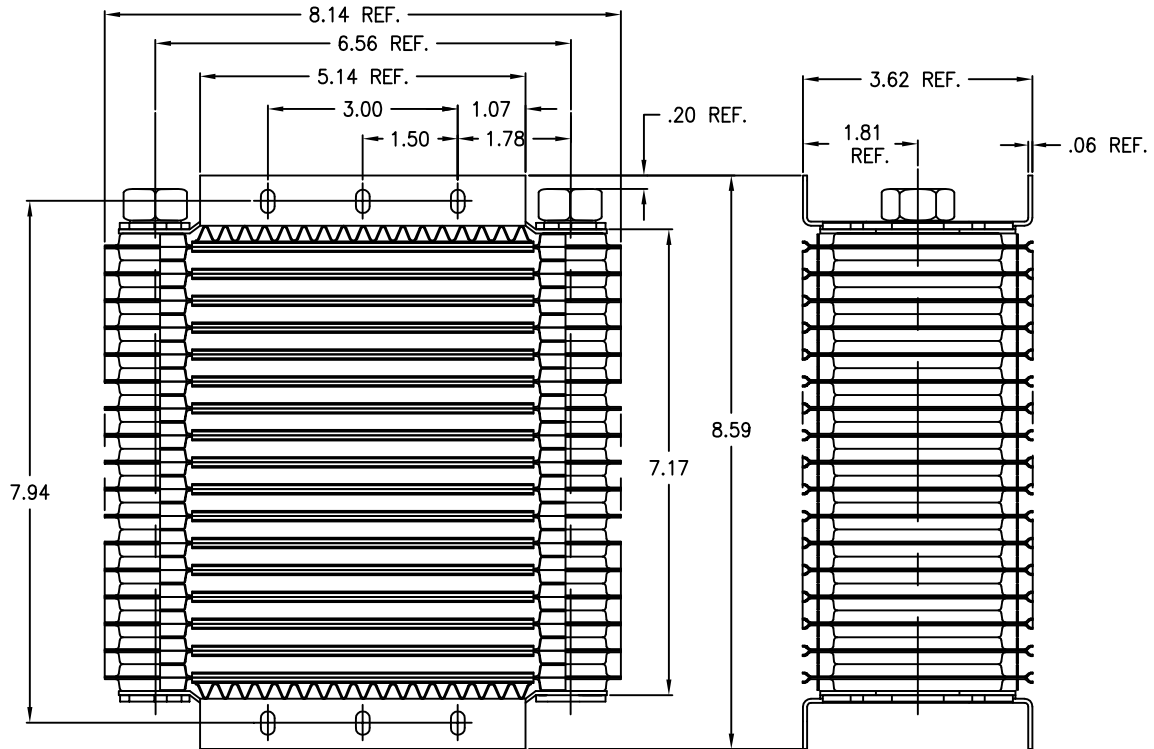
HIGH PERFORMANCE HEAT EXCHANGERS

(949) 218-9701 (VOICE)  
(949) 218-9705 (FAX)  
WWW.AIRFLOW-SYSTEMS.COM

THIS DRAWING AND SPECIFICATIONS ARE THE PROPERTY OF AIRFLOW SYSTEMS AND ARE ISSUED IN STRICT CONFIDENCE. THEY SHALL NOT BE REPRODUCED, COPIED, OR USED AS THE BASIS FOR MANUFACTURE OR SALE OF MATTER DEPICTED HEREIN WITHOUT WRITTEN PERMISSION.



MOUNTING SLOTS  
12 PLACES



NOTES:

1. TEST PRESSURE 400 PSIG HYDROSTATIC
2. SURFACE TREATMENT PER MIL-C-5541 CLASS 1A
3. UNIT MAY BE OUT OF SQUARE .06 PER FOOT IN ANY DIRECTION.
4. MALE & FEMALE AN PORTS UP TO -12 MAY BE SUPPLIED WELDED IN AS A CUSTOM PART

Part Number	Description		
AS-2008X	Oil Cooler, Aircraft, Experimental		
<table border="0" style="width: 100%;"> <tr> <td style="width: 50%; text-align: center;"> <p>AVAILABLE FROM:</p> <p><b>AIRFLOW</b> SYSTEMS</p> <p>HIGH PERFORMANCE HEAT EXCHANGERS</p> </td> <td style="width: 50%; text-align: center;"> <p>(949) 218-9701 (VOICE)</p> <p>(949) 218-9705 (FAX)</p> <p>WWW.AIRFLOW-SYSTEMS.COM</p> </td> </tr> </table>		<p>AVAILABLE FROM:</p> <p><b>AIRFLOW</b> SYSTEMS</p> <p>HIGH PERFORMANCE HEAT EXCHANGERS</p>	<p>(949) 218-9701 (VOICE)</p> <p>(949) 218-9705 (FAX)</p> <p>WWW.AIRFLOW-SYSTEMS.COM</p>
<p>AVAILABLE FROM:</p> <p><b>AIRFLOW</b> SYSTEMS</p> <p>HIGH PERFORMANCE HEAT EXCHANGERS</p>	<p>(949) 218-9701 (VOICE)</p> <p>(949) 218-9705 (FAX)</p> <p>WWW.AIRFLOW-SYSTEMS.COM</p>		